

Additive OVERVIEW...

Brake Fluid...

Diesel Cure (11)
Art. No. 01893 567/5/25

Petro Cure (12)
Art. No. 01893 559

Engine Flush and Cleaner (4)
Art. No. 05861 310 400/001
Engine Oil Treatment (5)
Art. No. 05861 300 300
Oil Smoke Stop (6)
Art. No. 05861 301 300
Oil Leak Stop (7)
Art. No. 05861 311 150

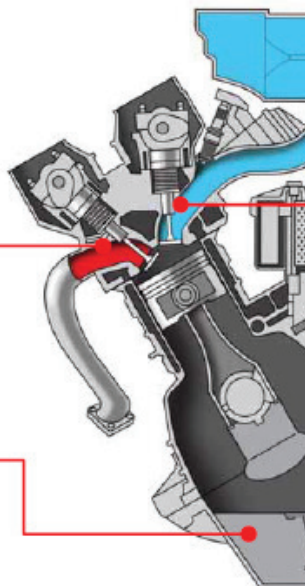
Screen Wash (15)
Art. No. 00892 333



Diesel Cure (11)
Art. No. 01893 567/5/25

Injector Cure - Diesel (12)
Art. No. 01893 560

Anti Freeze 1ltr/4ltr/20ltr (8)
Art. No. 00892 350/354...
Radiator Sealant 150ml (10)
Art. No. 05861 500 150
Radiator Cleaner & Conditioner (9)
Art. No. 05861 510 001/250



Art. No. 00892 009 050 - 500ml
Hydraulic fluid 100% synthetic for topping brake and clutch circuits in automobiles, coaches, lorries, etc.
DOT 4 brake fluid 100% synthetic.
High boiling point (dry and wet)
Ensure effective braking.
Excellent viscosity at both low and high temperatures.
Good lubricating power.
Good protection against oxidation and corrosion.
Compatible with other synthetic brake fluids with the same
The product meets the following specifications:
UNE 26-109-88 INTA Certification, SAE J-1704, FMVSS N-116 DOT 4, ISO 4925

Other products to consider...



Brake Fluid Tester
Art. No. 00715 53 220



Orange Nitrile Gloves
Art. No. 00899 470...



Safety Glasses
Art. No. 00899 103...



Universal Hand Wipes
Art. No. 00890 900 90



2 Ply Perforated Paper Towel
Art. No. 00899 800 773

Petro Cure
Art. No.

Air Intake and Throttle Valve Cleaner...



Art. No. 05861 113 500 - 500ml
Special, highly active system cleaner for 2- and 4-cycle engines.

Overhead valve

Hard-to-access spots can be reached

Outstanding cleaning performance

Optimum carburettor performance

Faultless throttle valve operation

Smooth engine running

Faults caused by soiled throttle valves or carburettors are eliminated.

Application:

Spray the parts to be cleaned heavily while the engine is not running and allow the active substance to soak in for 2 to 3 minutes. Then spray into the intake and throttle valve area with the engine running and increase the speed slightly to loosen deposits.

Features:

Removes deposits and contaminants in the intake and throttle valve area. No dismantling work required. Calibrated bores and nozzles can also be cleaned with it. Suitable for catalytic converters.

Other products to consider...



Orange Nitrile Gloves
 Art. No. 00899 470...



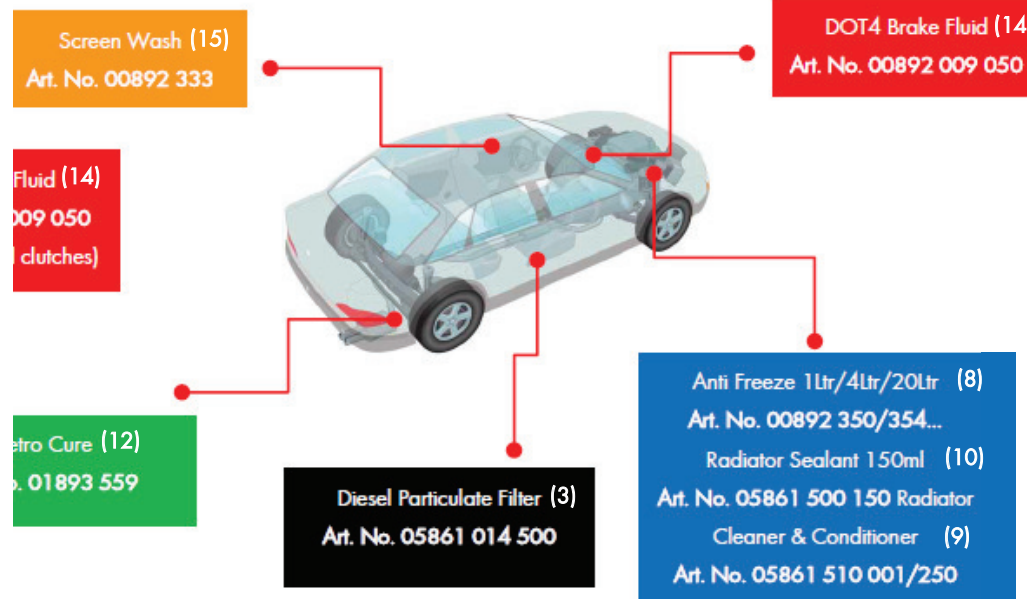
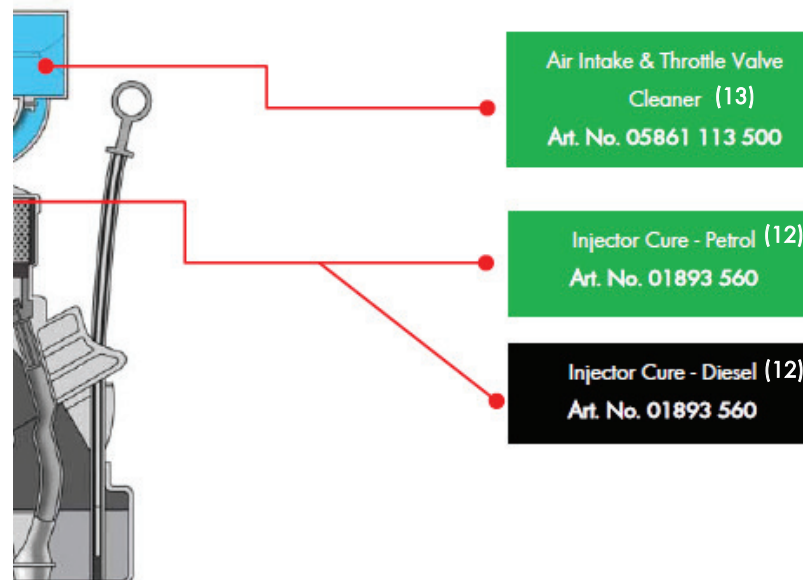
Safety Glasses
 Art. No. 00899 103...



2 Ply Perforated Paper Towel
 Art. No. 00899 800 773



"3C" Screw Driver Set
 Art. No. 00613 301 5



Diesel Particulate Filter Cleaner...



Art. No. 05861 014 500

Cleaning agent for the removal of carbon and ash deposits from diesel particulate filters.

Loosens and removes carbon deposits in particulate filters

Removal of the DPF not necessary for cleaning

Saves money, as a new particulate filter may not need to be installed (this depends on the condition of the particulate filter).

Not flammable

Neutral ash- and metal-free formula

Evaporates without leaving residue behind

Area of use:

Diesel Particulate Filter Cleaner is used to remedy reductions in performance and malfunctions caused by soiled diesel particulate filters. Cleaning restores the full flow capacity of the filter. The EGR valve can also be cleaned with the product.

Application:

Remove the temperature or pressure sensor. Insert the tube through the opening which has been made and empty in the direction of the particulate filter via spraying. Regeneration must then be initiated manually by the tester or by taking a test drive. After regeneration, query the error memory and clear any errors which may be present. One can is sufficient for a particulate filter.

Other products to consider...



Orange Nitrile Gloves
Art. No. 00899 470...



Safety Glasses
Art. No. 00899 103...



2 Ply Perforated Paper Towel
Art. No. 00899 800 773



Ratchet Spanners
Art. No. 00714 259 50



Multi 5-in-1
Art. No. 00893 055 40



Universal Hand Wipes
Art. No. 00890 900 90

With this information, we want to advise you to the best of our knowledge based on our tests and experience. Preliminary testing required! For further information, see the Technical Data Sheet.

Injector Cure...



Art. No. 01893 560 - 330ml

A concentrated purifier for cleaning injectors in both petrol & diesel engines

Pre-treatment of engine prior to application of Diesel or Petro Cure

- Ensures that injectors are thoroughly cleaned, and any major "gumming" is removed prior to preventative treatment with Diesel Cure.

Application:

Suitable for use in motor vehicles and trucks. Injector Cure is the pre-treatment application, prior to using either Diesel Cure or Petro Cure. It has the ability to clean the injectors, by assisting in the removal of "varnish build-up". A 330ml tin is sufficient for the treatment of 100Litres of diesel or petrol fuel. Simply add Injector Cure to the tank of the vehicle. The product does not affect the composition of fuel in anyway.

Petro Cure...



Art. No. 01893 559 - 330ml

A purifier for petrol engines used for the cleaning of injectors, and eradicating problems associated with water in the fuel.

Cleans injectors

Ensures that the injectors are consistently clean, allowing for better of fuel through the injectors thus preventing over-fuelling.

Application:

Suitable for use in motor vehicles. Petro Cure has the ability to clean the engine from within. A 330ml tin is sufficient for treatment of 400Litres of petrol fuel. Simply add Petro Cure to the tank of the vehicle. The product does not affect the composition of fuel in anyway.

With this information, we want to advise you to the best of our knowledge based on our tests and experience. Preliminary testing required! For further information, see the Technical Data Sheet.

Diesel Cure...



Art. No. 01893 567 - 330ml
 Art. No. 01893 567 5 - 5Ltr
 Art. No. 01893 567 25 - 25Ltr
 A purifier for diesel engines used for the cleaning of injectors, and eradicating problems associated with water in the fuel.
Cleans injectors and improves lubricity
 This assists with the atomisation of diesel which can lead to improved fuel consumption, and limits the wear on injectors.
Contains fungicides
 Prevents the growth of organisms in stored diesel.
 Eradicates free water in fuel.

Application:

Suitable for use in motor vehicles, trucks, generators as well as storage tanks. Diesel Cure has the ability to clean the engine from within. A 330ml tin is sufficient for treatment of 400litres of Diesel fuel. Simply add Diesel Cure to the tank of the vehicle. The product does not affect the composition of fuel in anyway.

Features:

Binds and neutralizes acidic condensation, preventing acid formation, which causes gumming or resin deposits. Improves atomisation and lubricity of diesel. Makes water content in fuel tank combustible.

APPROVED BY MTU Friedrichshafen GMBH Detroit Diesel Corporation

Other products to consider...



Injector Cure
 Art. No. 01893 560



Orange Nitrile Gloves
 Art. No. 00899 470...



Safety Glasses
 Art. No. 00899 103...

With this information, we want to advise you to the best of our knowledge based on our tests and experience. Preliminary testing required! For further information, see the Technical Data Sheet.

Engine Flush and Cleaner...



Art. No. 05861 310 400 - 400ml
 Art. No. 05861 310 001 - 1000ml
 For cleaning all gasoline and diesel engines.
Cleans the engine
 Full performance is enabled
Optimizes exhaust emissions
 Simple to use

Application:

Suitable for all mineral- and synthetic-based engine oils.
 A 400ml can is sufficient for up to a 5 L oil fill. 1,000ml 10 - 15 litres of oil.
 Add Engine Flush & Cleaner to the oil when the engine is warm. Run engine idle for about 10 minutes. Then carry out an oil and filter change.

Attention: Not suitable for use in motorcycles with wet clutches which have a common oil circuit.

Features:

Engine Flush & Cleaner cleans the engine and the oil feed system from the inside. Engines which have been cleaned of dirt can now reach their fullest performance potential with fresh oil. Quick, yet gentle, cleaning. Does not attack seals. Suitable for gasoline and diesel engines. Optimizes exhaust emissions. Compatible with catalytic converters. Loosens stuck piston rings. Easy to use.

Other products to consider...



Oil Binder
 Art. No. 00890 6



Micro Absorber
 Art. No. 00890 61



Sump Plug Washers
 Art. No. 00964 462



Sump Plugs
 Art. No. 00240/1/3...



5-in-1 Car Clean Set
 Art. No. 00899 500 004

With this information, we want to advise you to the best of our knowledge based on our tests and experience. Preliminary testing required! For further information, see the Technical Data Sheet.

Engine Oil Performance Improver...

Radiator Sealer HP...



Art. No. 05861 300 300
Protection for all gasoline and diesel engines.
 Protects against valve burn through
 Increases the service life of the engine
 Ideal for oil thinning using biofuels
 Supplements consumed engine oil active substances
 Corresponds to modern API standards for engine oils

Application:

Add contents of the can to the engine oil at any engine temperature each time the oil is changed. In addition, the Engine Oil Treatment can be added when diagnosing motor oil. 300ml are sufficient for 4.5 litres of engine oil. 1,000 ml are sufficient for 10 litres of engine oil. Ideal addition quantity: 10%. Reduce fresh oil according to the oil level.

Features:

Minimizes frictional resistance and protects against corrosion. Oil sludge and stopped-up oil ducts. Aggressive combustion acids are also neutralized, and it supplements consumed motor oil active substances. Deposits on resinous piston rings are loosened.

Other products to consider...



Orange Nitrile Gloves
Art. No. 00899 470...



Safety Glasses
Art. No. 00899 103...



2 Ply Perforated Paper Towel
Art. No. 00899 800 773



Multi 5-in-1
Art. No. 00893 055 40



Ratchet Spanners
Art. No. 00714 259 50



Universal Hand Wipes
Art. No. 00890 900 90

With this information, we want to advise you to the best of our knowledge based on our tests and experience. Preliminary testing required! For further information, see the Technical Data Sheet.



Art. No. 05861 500 150
High-performance cooling system protection for all modern vehicle types with cross-flow cooling systems.
 Seals leaks up to max. 0.1 mm
 Dirt filters in the cooling circuit are not affected
 Can be used as a preventive measure each time the antifreeze is changed
 Sealing effect via micro-fine synthetic particles

Application:

To be used for micro-leaks in the cylinder head seal and hose connections and for evaporation loss at units of the cooling system. Add directly to the cooling circuit when the engine is warm. Add only to the compensating reservoir if coolant is flowing through it. Then allow the engine to run for at least 10 minutes until the thermostat opens and the heater gives noticeable heat. Then stop the engine, check the coolant again and add more if necessary. The contents of one can are sufficient for 10 litre of coolant.

Features:

Seals leaks up to 0.1 mm near cylinder head seals and hose connections, prevents seal sweating and eliminates evaporation loss.

Other products to consider...



Fender Covers
Art. No. 00899 600



Cooling System Tester
Art. No. 00853 522



Safety Glasses
Art. No. 00899 103...



Orange Nitrile Gloves
Art. No. 00899 470...

With this information, we want to advise you to the best of our knowledge based on our tests and experience. Preliminary testing required! For further information, see the Technical Data Sheet.

Radiator Cleaner/Conditioner...

Oil Smoke Stop...



Art. No. 05861 510 250 - 250ml

Art. No. 05861 510 001 - 1Ltr

Suitable for all engines.

Eliminates corrosion and sludge deposits in the cooling circuit

Cleaned cooling system increases operating reliability

Neutralizes lime residue

New coolant is protected from contamination by old dirt residue

Compatible with anti-freeze

Alkaline in the range of 9 - 11

Compatible with all substances used in radiator construction.

Application:

For remedying reduced cooling performance when making repairs to radiators and cooling system maintenance work. Add contents of can to the cooling water. Open heating valves. Allow engine to run for approx. 30 min at operating temperature. The deposits which were loosened by the Radiator Cleaner and Conditioner must be rinsed out with water. The rinsing process is carried out without removal of the thermostat. We recommend replacing parts which have been damaged by leaked-in oil, such as compensating reservoirs and water hoses. After cleaning the cooling system, refill it, vent it and check it for leaks. 250 mL is sufficient for 10 litres of cooling water. 1,000 mL is sufficient for 40 litres of cooling water.

Features:

Removes deposits in the cooling circuit and cleans the cooling system of contaminants. Thus oil residue which has arisen due to cylinder head damage, for example, can be removed. Radiator Cleaner and Conditioner can also be used as a preventive measure each time the coolant is changed. The cleaner is not suitable for use during vehicle operation.

Other products to consider...



Anti Freeze
Art. No. 00892 350/354...

With this information, we want to advise you to the best of our knowledge based on our tests and experience. Preliminary testing required! For further information, see the Technical Data Sheet.



Art. No. 05861 301 300

Prevents the smoking of gasoline and diesel engines.

Stabilizes viscosity

Reduces oil consumption

Prevents smoky blue exhaust

Application:

For all gasoline and diesel engines. Compatible with all conventional engine oils. The 300ml contents of the can are sufficient for 5 litres of oil. After adding to the engine oil, allow the engine to warm up. It can be added at any time.

Note: Not suitable for motorcycles or quads with wet clutches.

Features: Reduces oil consumption by stabilizing viscosity and compensates for drops in viscosity. Prevents smoky blue exhaust.

Other products to consider...



Orange Nitrile Gloves
Art. No. 00899 470...



Safety Glasses
Art. No. 00899 103...



2 Ply Perforated Paper Towel
Art. No. 00899 800 773



Universal Hand Wipes
Art. No. 00890 900 90

With this information, we want to advise you to the best of our knowledge based on our tests and experience. Preliminary testing required! For further information, see the Technical Data Sheet.

Oil Leak Protector...



Art. No. 05861 311 150
Eliminates engine oil leaks.
Protects and eliminates engine oil leaks
 Environmental pollution from engines dripping oil.
Reduces oil consumption

Application:

For all gasoline and diesel engines. Compatible with all conventional engine oils. The 300 mL contents of the can are sufficient for 5 litres of oil. Product is added when the engine is warm. It can be added at any time between oil changes. Note: Not suitable for motorcycles or quads with wet clutches.

Features:

Protects against loss through leaks in elastomers seals. Prevents environmental pollution from engines dripping oil. Reduces the oil consumption of gasoline and diesel engines.

Other products to consider...



Orange Nitrile Gloves
 Art. No. 00899 470...



Safety Glasses
 Art. No. 00899 103...



2 Ply Perforated Paper Towel
 Art. No. 00899 800 773



Universal Hand Wipes
 Art. No. 00890 900 90

With this information, we want to advise you to the best of our knowledge based on our tests and experience. Preliminary testing required! For further information, see the Technical Data Sheet.

Anti Freeze...



Art. No. 00892 350/354...
Ethylene glycol based engine coolant. For-
ulated for passenger cars and light duty
trucks.

Application:

Shake before use. Clean the radiator with cleaner (Art No.: 5861 510 250/001). Add contents to radiator. Close the cap of radiator. Refill the coolant to the stipulated level, as per the vehicle manufacturer's recommendations. Do not dilute the content as it could alter the performance of the anti scaling, anti corrosion and anti foaming properties.

Features:

Conform to JIS K2234, ASTM D3306, SAE J1043, GB 29743-2013.
 The Anti Freeze will decrease the freezing point to approximately -35°C , and raise the boiling point to approximately 108°C . (Not recommended to dilute the product, as it is ready to use from the container).

Other products to consider...



Optical Fluid Tester
 Art. No. 00704 510



Radiator Flush/Conditioner
 Art. No. 05861 510 001/250



Fender Covers
 Art. No. 00899 600



Cooling System Tester
 Art. No. 00853 522



Orange Nitrile Gloves
 Art. No. 00899 470...



Safety Glasses
 Art. No. 00899 103...

With this information, we want to advise you to the best of our knowledge based on our tests and experience. Preliminary testing required! For further information, see the Technical Data Sheet.